



QVI® StarLite™ 150

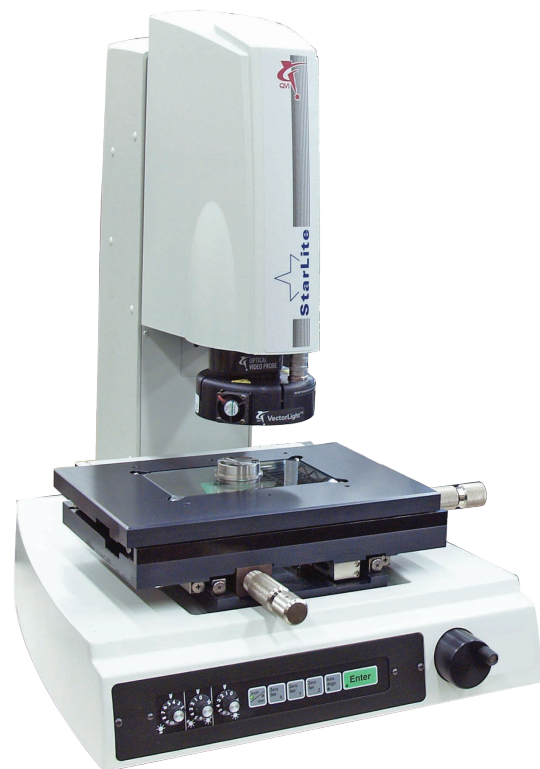
Benchtop Measuring Machine

RAM

StarLite 150 is compact and reliable video measurement system combining fully automatic measurements with easy to use manual stage motion. StarLite's robust stage, motorized zoom optics and high resolution digital camera provide the accuracy you expect from a high performance measurement system.

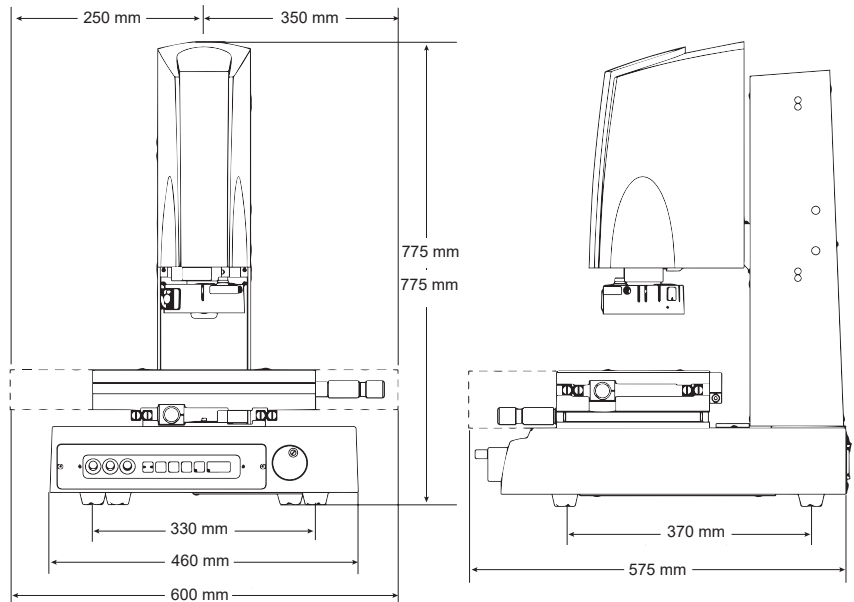
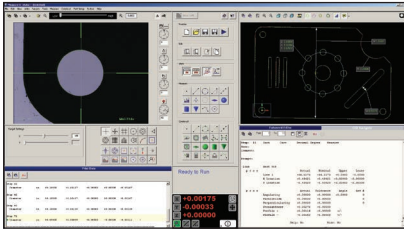
- 3-axis (X,Y,Z) measurement capability
- Digital megapixel color camera coupled with a motorized zoom lens
- Programmable LED backlight and VectorLight™ LED ring light for ultimate lighting flexibility

StarLite 150 Measuring Range (mm)			
	X	Y	Z
150	150	75	125



Measurement Software

Measure-X® is the world's most popular metrology software. Measure-X makes it easy for QVI StarLite to accurately measure fine features that require multi-step measurement routines. All measurements are fully automatic. Measure-X guides the user to position each feature using the manual stage controls.



System Weight: 50 kg

	Standard	Optional
X, Y, Z Travel	150 x 75 x 125 mm	
X, Y, Z Scale Resolution	1.0 µm	
Stage Drive System	Manual with coarse and fine X, Y, Z position adjustment knobs	
Max Recommended Stage Load	7 kg	
Working Distance	62 mm (with standard VectorLight™)	
Imaging Optics	6.5:1, 10 position motorized zoom lens	
Lens Attachments	0.5X, 0.75X, 1.5X, 2.0X	
Field of View <small>*Highest available magnification</small>	Low Mag 9.1 mm diagonal	High Mag* 0.6 mm diagonal
Metrology Camera	QVI Digital, Megapixel Color Metrology Camera	
Magnification on 24" LCD Monitor	24x to 370x on-screen digital/optical magnification standard with full feature Measure-X layout	12x to 740x on-screen digital/optical magnification with optional add-on lenses and dual monitor user interface
Illumination	LED VectorLight™ programmable ring light with 6 rings and 8 sectors LED backlight	Option 1: LED VectorLight™ SP programmable ring light with 6 rings and 7 sectors, LED backlight, LED square-on surface light Option 2: LED VectorLight™ SF programmable ring light with 6 rings and 8 sectors, LED backlight, LED square-on surface light (reduced working clearance)
Controller <small>*Controller configuration subject to change without notice.</small>	QVI standard system controller with networking and communication ports*	
Software	Measure-X	MeasureFit®, SmartReport®, CAD interface, SmartFeature® software for FDA compliant environments
Miscellaneous Options	Optical accessory kit, manual rotary indexer, NIST traceable calibration artifact, footswitch, dust cover	
Rated Environment	Temperature 18-22° C, stable to ±1° C; 30-80% humidity; vibration <0.001g below 15 Hz	
Power	100-120 VAC or 200-240 VAC, 50/60 Hz, 1 phase, 250W	
X,Y Linear Accuracy ^{1,2,3,4,5,6}	$E_t: (3.5 + 6L/1000) \mu\text{m}$	
XY Area Accuracy ^{1,2,3,4,5,6}	$E_2: (4.5 + 8L/1000) \mu\text{m}$	
Z Linear Accuracy ^{1,2,3,4,5,6}	$E_t: (7.0 + 8L/1000) \mu\text{m}$	
Notes	1. Where L = Measurement length in mm. 2. With evenly distributed 5 kg load in the standard measuring plane. Depending on load distribution, accuracy at maximum recommended load may be less than standard accuracy. 3. All optical accuracy specifications at maximum optical magnification at 1:1 digital pixel resolution. 4. All specifications apply to a thermally stable system operated in the rated environment. 5. Maximum rate of temperature change: 1° C per hour. 6. Calibration artifacts are described in QVI publication number 790762.	



Quality Vision International, Inc.
 Phone: +1 585 758 1300
 Fax: +1 585 506 4307
 raminfo@qvii.com
 www.qvii.com/ram

